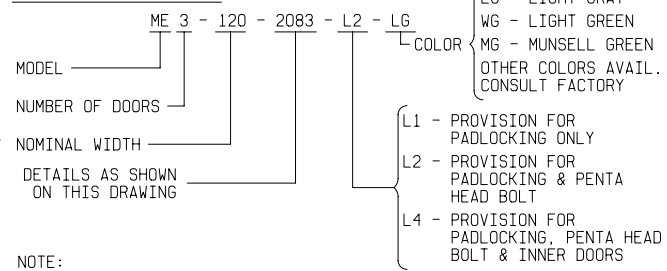


PAD & DETAIL BOLT DETAIL

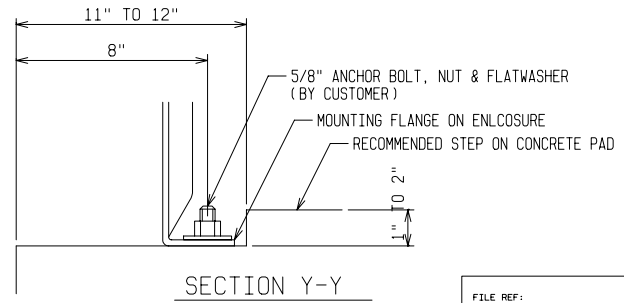
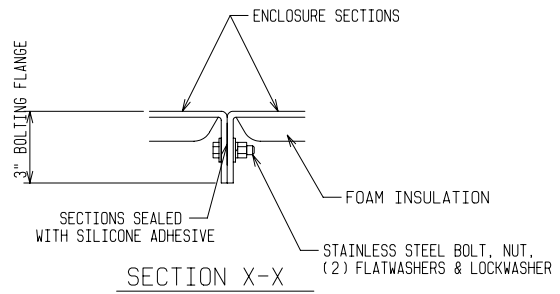
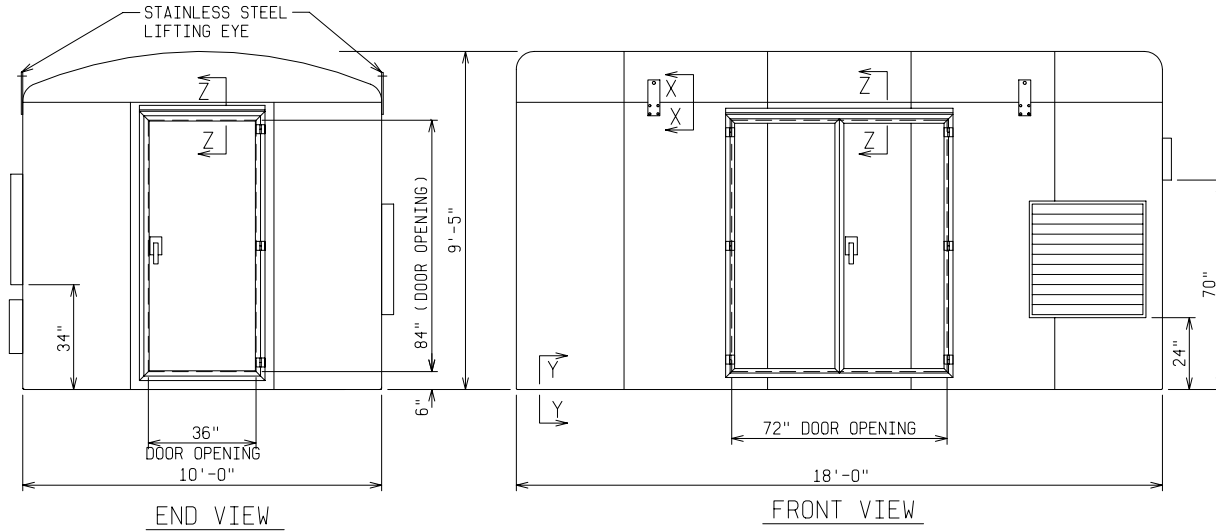
ANCHOR BOLTS TO BE 5/8" DIA. & TO EXTEND 1-1/2" MINIMUM ABOVE PAD. PROVIDE UTILITY ENTRY AS REQUIRED.

ORDERING INFORMATION:



NOTE:

- MATERIAL:**
 - FIBERGLASS LAMINATE 1/4" NOMINAL THICKNESS
 - EXTERIOR UV STABILIZED GELCOAT - 14 MIL NOMINAL THICKNESS LIGHT GRAY COLOR
 - FIRE RETARDANT - DOES NOT SUPPORT COMBUSTION
 - STAINLESS STEEL HARDWARE
- STANDARDS:**
 - CERTIFIED TEST DATA OF ASTM STRUCTURAL STANDARDS AVAILABLE UPON REQUEST



FIBERGLASS MODULAR ENCLOSURE
10 FT WIDE x 9 FT 5 IN HIGH x 18 FT LONG
ONE 72" DOUBLE DOOR & ONE 36" SINGLE DOOR EXHAUST FAN INTAKE LVRS



DRAWN: BB	PAGE	DATE 7-19-05	DRAWING NO. 2083 -R1
-----------	------	--------------	----------------------

FILE REF: