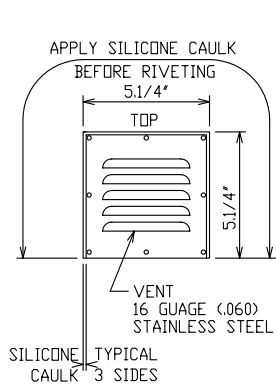
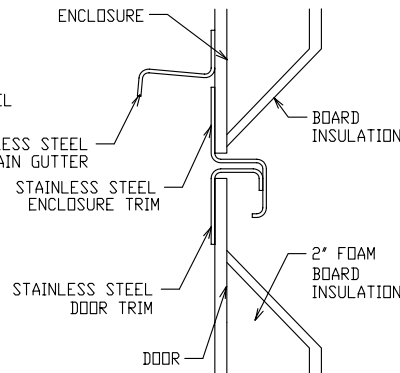
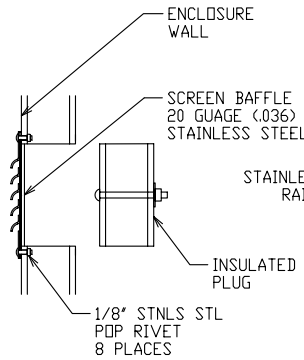


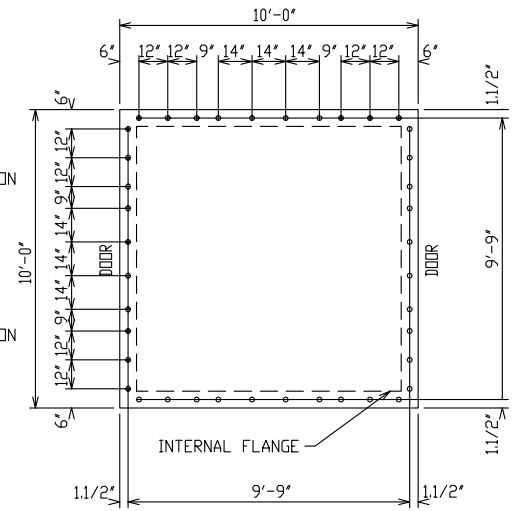
TOP VIEW



DETAIL A
TOTAL (6) LOUVERS
WITH INSULATING PLUG



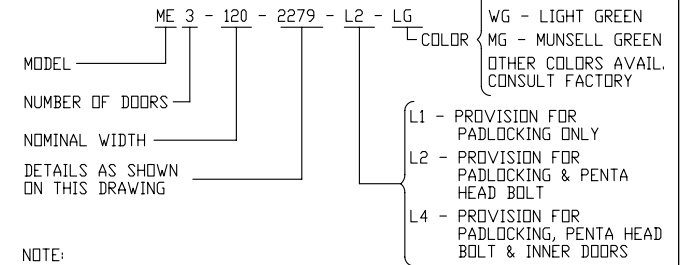
SECTION Z-Z



BOLT DETAIL

ANCHOR BOLTS TO BE 5/8" DIA. & TO EXTEND 1-1/2" MINIMUM ABOVE PAD. PROVIDE UTILITY ENTRY AS REQUIRED.

ORDERING INFORMATION:

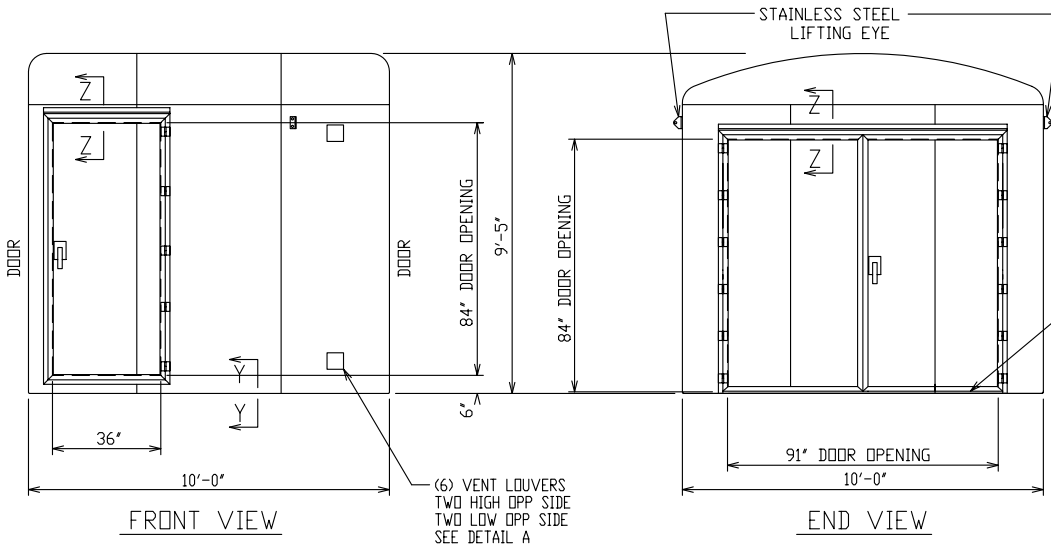


NOTE:

- MATERIAL:
 - FIBERGLASS LAMINATE 1/4" NOMINAL THICKNESS
 - EXTERIOR UV STABILIZED GELCOAT - 14 MIL NOMINAL THICKNESS
 - FIRE RETARDANT - DOES NOT SUPPORT COMBUSTION
 - STAINLESS STEEL HARDWARE

2. STANDARDS:

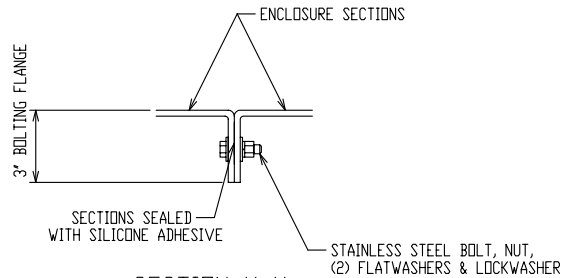
- CERTIFIED TEST DATA OF ASTM STRUCTURAL STANDARDS AVAILABLE UPON REQUEST



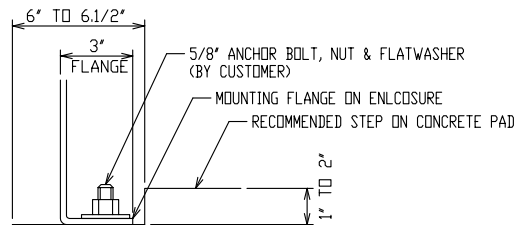
FRONT VIEW

END VIEW

(6) VENT LOUVERS
TWO HIGH OPP SIDE
TWO LOW OPP SIDE
SEE DETAIL A



SECTION X-X



SECTION Y-Y

FIBERGLASS MODULAR ENCLOSURE
10 FT WIDE x 9 FT 5 IN HIGH x 10 FT LONG
SINGLE DOOR DOUBLE DOOR HEATER

ODELL, OREGON

DRAWN: RB	PAGE	DATE 9-12-07	DRAWING NO. 2279-R2
--------------	------	-----------------	------------------------

FILE REF: