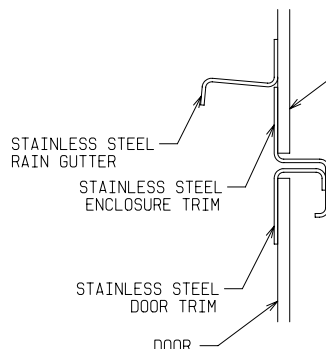
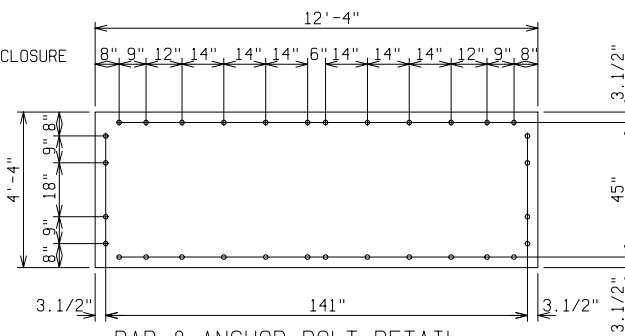


DETAIL A

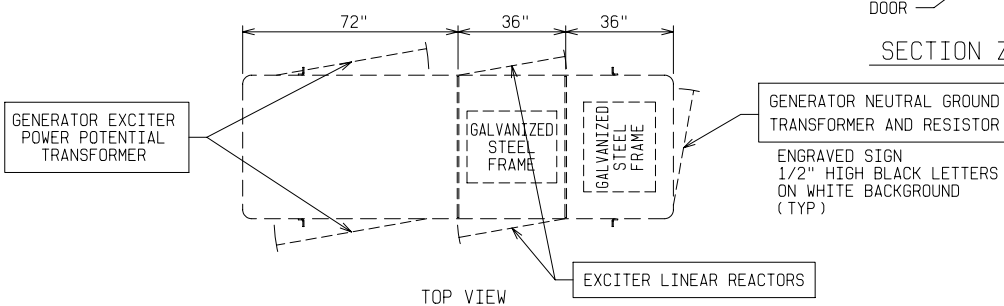


SECTION Z-Z



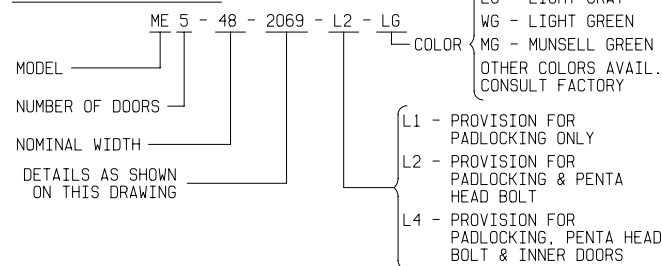
PAD & ANCHOR BOLT DETAIL

ANCHOR BOLTS TO BE 5/8" DIA. & TO EXTEND 1-1/2" MINIMUM ABOVE PAD. PROVIDE CABLE ENTRY AS REQ'D.



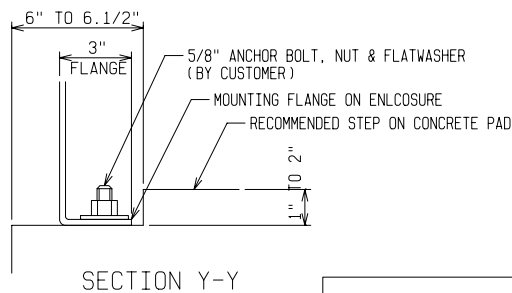
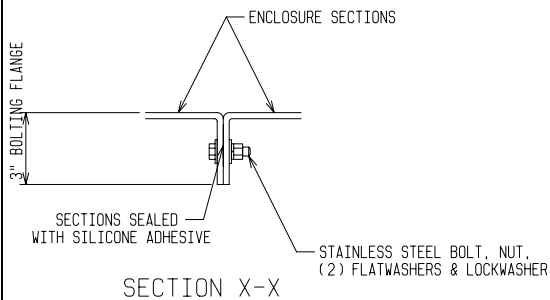
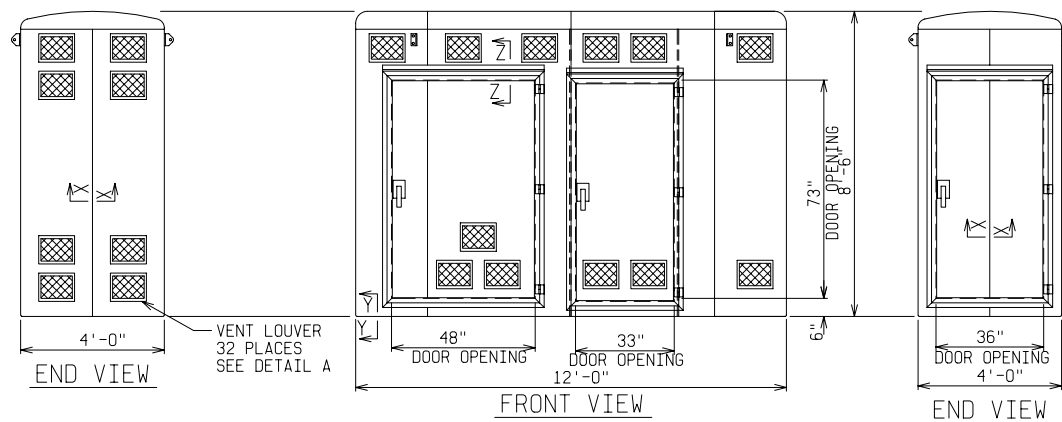
TOP VIEW

ORDERING INFORMATION:



NOTE:

- MATERIAL:
  - FIBERGLASS LAMINATE 1/4" NOMINAL THICKNESS
  - EXTERIOR UV STABILIZED GELCOAT - 14 MIL NOMINAL THICKNESS
  - FIRE RETARDANT - DOES NOT SUPPORT COMBUSTION
  - STAINLESS STEEL HARDWARE
- STANDARDS:
  - CERTIFIED TEST DATA OF ASTM STRUCTURAL STANDARDS AVAILABLE UPON REQUEST



<b>FIBERGLASS ENCLOSURE</b> 4 FT WIDE x 8 FT 6 IN HIGH x 12 FT LONG FIVE ACCESS DOORS PARTITIONED INTO THREE PARTS			
ODELL, OREGON			
DRAWN: BB	PAGE	DATE 4-15-05	DRAWING NO. 2069 -R1

FILE REF: