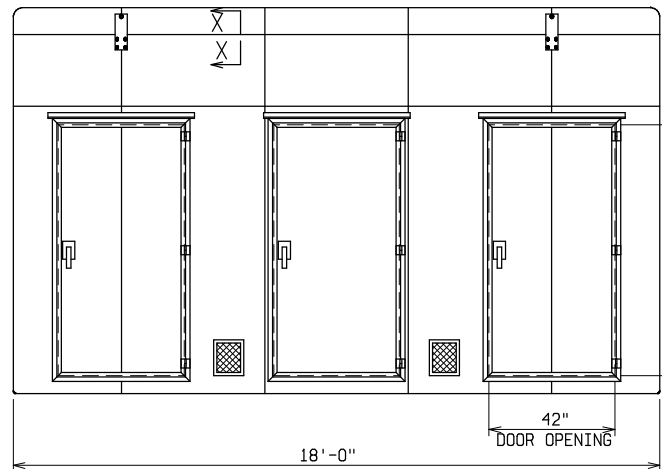
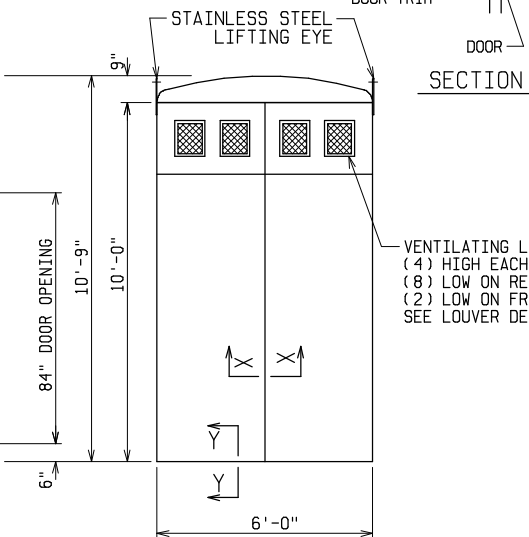


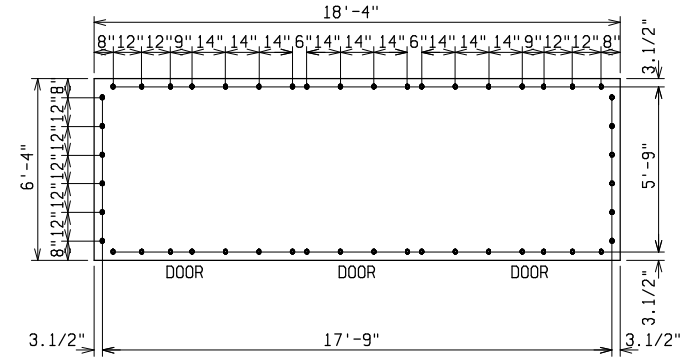
PLAN VIEW



FRONT VIEW



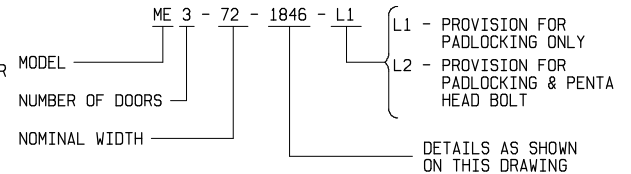
END VIEW



PAD & ANCHOR BOLT DETAIL

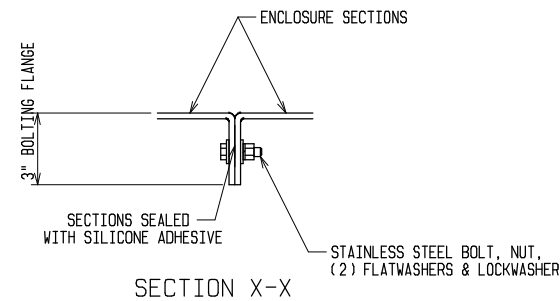
ANCHOR BOLTS TO BE 5/8" DIA. AND TO EXTEND 1-1/2" MINIMUM ABOVE PAD
PROVIDE CABLE ENTRY AS REQUIRED

ORDERING INFORMATION:

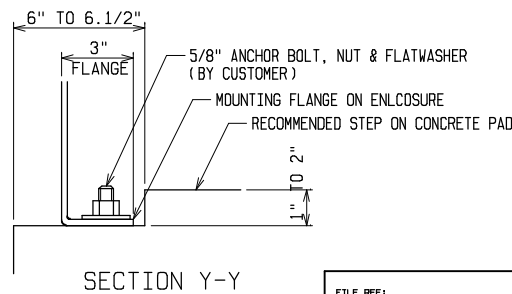


NOTE:


- MATERIAL:
 - FIBERGLASS LAMINATE 1/4" NOMINAL THICKNESS
 - EXTERIOR UV STABILIZED GELCOAT - 14 MIL NOMINAL THICKNESS
 - FIRE RETARDANT - DOES NOT SUPPORT COMBUSTION
 - STAINLESS STEEL HARDWARE
- STANDARDS:
 - CERTIFIED TEST DATA OF ASTM STRUCTURAL STANDARDS AVAILABLE UPON REQUEST



SECTION X-X



SECTION Y-Y

| | | | |
|---|------|----------------|---------------------|
| FIBERGLASS MODULAR ENCLOSURE 6 FT WIDE x 10 FT-9 IN HIGH x 18 FT LONG THREE PHASE REGULATOR HOUSING (3) ACCESS DOORS | | | |
|  POWER DESIGN INC. ODELL, OREGON | | | |
| DRAWN: BB | PAGE | DATE 2-8-02 | DRAWING NO. 1846 |

FILE REF: