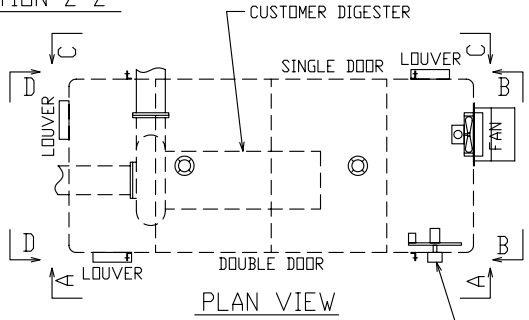
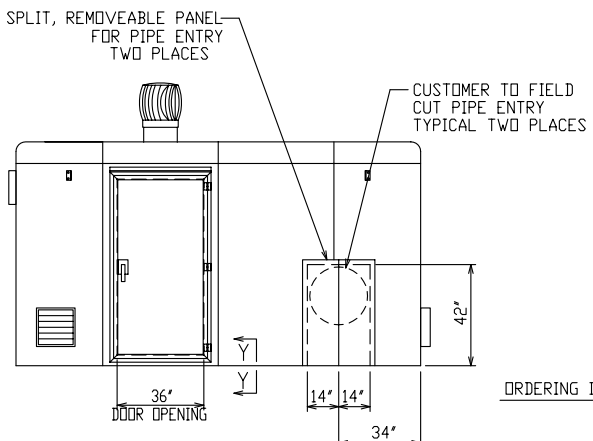


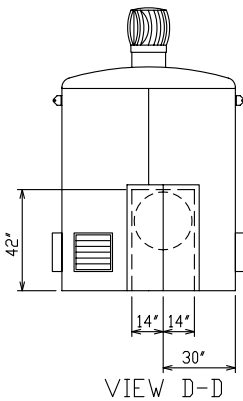
SECTION Z-Z



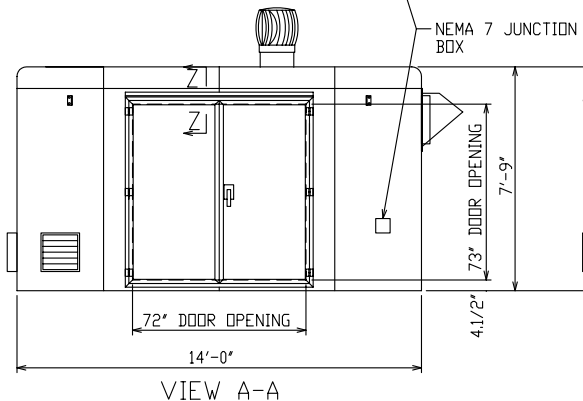
PLAN VIEW



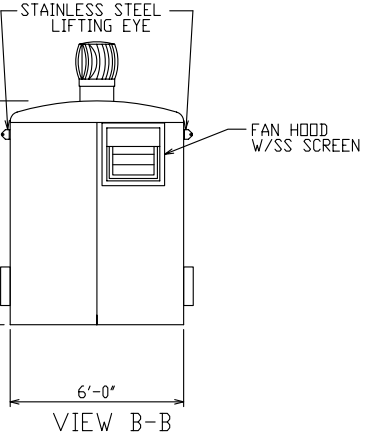
VIEW C-C



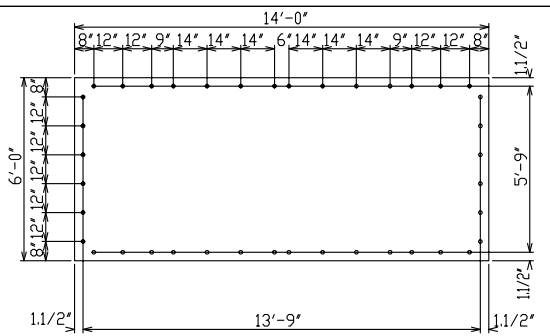
VIEW D-D



VIEW A-A

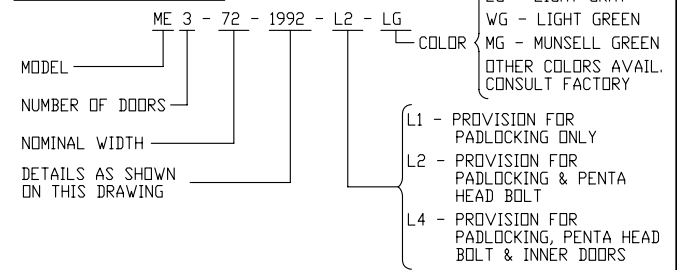


VIEW B-B



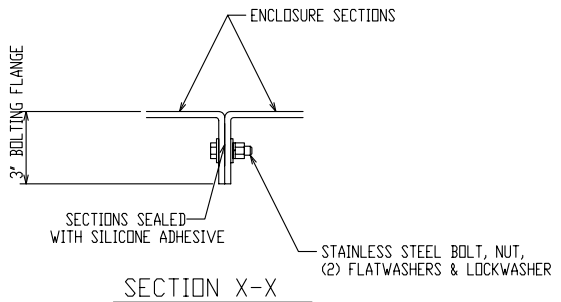
**ANCHOR BOLT DETAIL**  
 ANCHOR BOLTS TO BE 5/8" DIA. AND TO EXTEND 1-1/2" MINIMUM ABOVE PAD  
 PROVIDE UTILITY ENTRY AS REQUIRED

**ORDERING INFORMATION:**

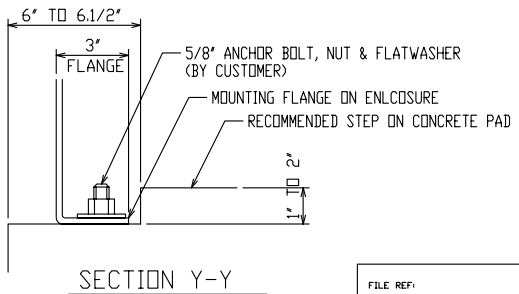


**NOTE:**

- MATERIAL:**
  - FIBERGLASS LAMINATE 1/4" NOMINAL THICKNESS
  - EXTERIOR UV STABILIZED GELCOAT - 14 MIL NOMINAL THICKNESS
  - FIRE RETARDANT - DOES NOT SUPPORT COMBUSTION
  - STAINLESS STEEL HARDWARE
- STANDARDS:**
  - CERTIFIED TEST DATA OF ASTM STRUCTURAL STANDARDS AVAILABLE UPON REQUEST



SECTION X-X



SECTION Y-Y

<b>FIBERGLASS MODULAR ENCLOSURE</b> 6 FT WIDE x 7 FT-9 IN HIGH x 14 FT LONG ONE DOUBLE & ONE SINGLE DOOR    CUTOUTS FOR PIPE ENTRY			
<b>POWER DESIGN INC.</b> ODELL, OREGON			
DRAWN: RB	PAGE	DATE 4-25-08	DRAWING NO. 1992-R1
FILE REF:			