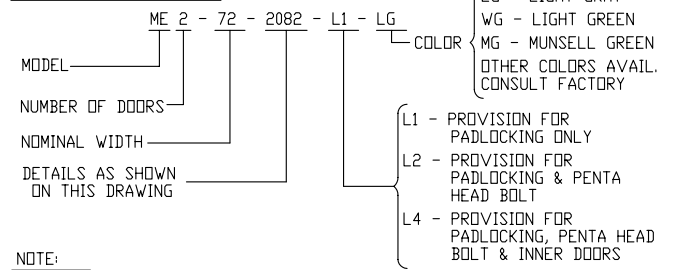
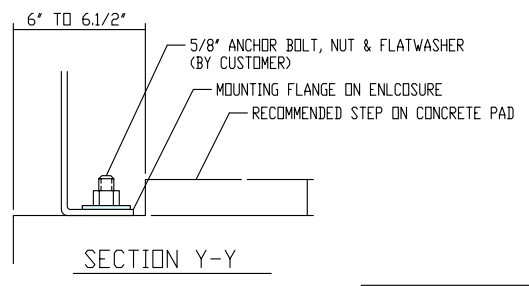
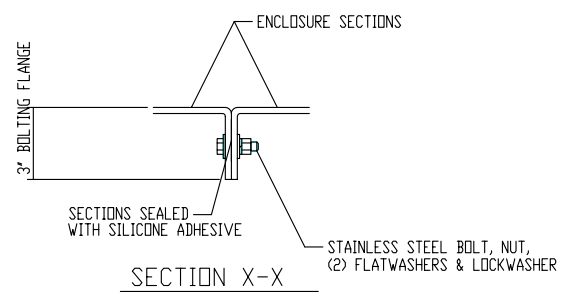


**ORDERING INFORMATION:**



**NOTE:**

- MATERIAL:**
  - FIBERGLASS LAMINATE 1/4" NOMINAL THICKNESS
  - EXTERIOR UV STABILIZED GELCOAT - 14 MIL NOMINAL THICKNESS
  - FIRE RETARDANT - DOES NOT SUPPORT COMBUSTION
  - STAINLESS STEEL HARDWARE
- STANDARDS:**
  - CERTIFIED TEST DATA OF ASTM STRUCTURAL STANDARDS AVAILABLE UPON REQUEST



<p>FIBERGLASS MODULAR ENCLOSURE</p> <p>6 FT WIDE x 5 FT HIGH x 21 INCH LONG</p> <p>ONE DOUBLE DOOR</p>			
<p><b>POWER DESIGN INC.</b></p> <p>ODELL, OREGON</p>			
DRAWN: RB	PAGE	DATE 8-28-06	DRAWING NO. 2082

FILE REF.